

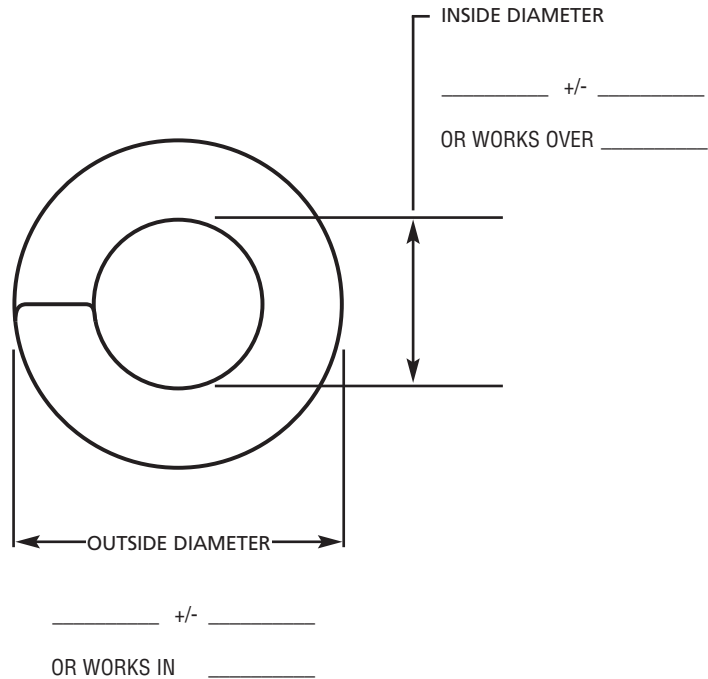
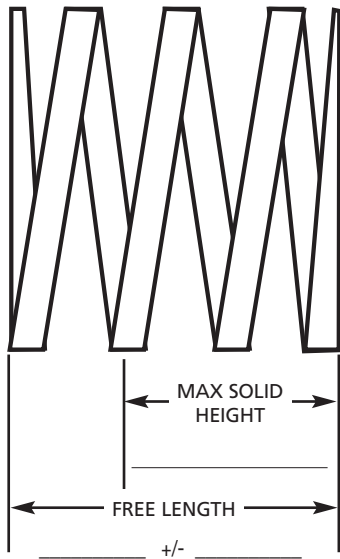


LeeP™ Plastic Composite Springs can be molded to exact customer specifications, with resulting tolerances exceeding those generally found in metal springs. Custom colors may be specified using the Pantone Matching System® (PMS) or other color systems. Although Lee Spring recommends Ultem\* resins, we can produce Custom LeeP Springs in other plastic resins to meet application requirements.

### Potential Applications

- Medical Products and Processing Equipment
- Pharmaceutical Delivery Devices
- Imaging and X-Ray Equipment
- Food Processing and Packaging Equipment
- Aerospace or Marine Products
- Electronics and Electrical Equipment
- Water Purification and Pollution Control Systems
- Chemical Environments
- Semi-conductors
- Instrumentation
- Communication Devices
- Cosmetics Packaging Equipment

\*Trademark of SABIC Innovative Plastics IP BV.



INDICATE UNITS OF MEASURE (IN. & LB.), (MM & KG)

1. MATERIAL \_\_\_\_\_
2. MATERIAL THICKNESS \_\_\_\_\_
3. RADIAL WALL \_\_\_\_\_
4. DIRECTION OF WIND      OPT      LH      RH
5. RATE \_\_\_\_\_ +/- \_\_\_\_\_ BETWEEN \_\_\_\_\_ & \_\_\_\_\_
6. LOAD 1 \_\_\_\_\_ +/- \_\_\_\_\_ @ \_\_\_\_\_
7. LOAD 2 \_\_\_\_\_ +/- \_\_\_\_\_ @ \_\_\_\_\_
8. HOLE DIAMETER \_\_\_\_\_
9. ROD DIAMETER \_\_\_\_\_
10. SQUARENESS \_\_\_\_\_
11. COLOR \_\_\_\_\_
12. FREQUENCY OF COMPRESSION  
 \_\_\_\_\_ CYCLES/SEC. AND WORKING RANGE  
 \_\_\_\_\_ IN. TO \_\_\_\_\_ IN. OF LENGTH
13. OPERATING TEMP. \_\_\_\_\_ °F
14. OTHER: \_\_\_\_\_  
 \_\_\_\_\_

COMPANY: \_\_\_\_\_

ADDRESS: \_\_\_\_\_  
 \_\_\_\_\_

CITY: \_\_\_\_\_

STATE: \_\_\_\_\_ ZIP: \_\_\_\_\_

CONTACT: \_\_\_\_\_

PHONE: \_\_\_\_\_

FAX: \_\_\_\_\_

EMAIL: \_\_\_\_\_

QUANTITIES TO BE QUOTED: \_\_\_\_\_

END USE OR APPLICATION: \_\_\_\_\_  
 \_\_\_\_\_  
 \_\_\_\_\_